



V30 Food Mixer - 30 Quart Mixer

Project _____

Item Number _____

Quantity _____



Powerful 2 hp motor
Variable speed V-belt transmission based
on precision machined cast iron pulleys.



ETL listed
Conforms to UL Std 763
Certified to CSA Std C22.2 No.195



Standard Features

- Powerful 2 hp motor
- Variable Speed Drive with wide agitator speed range from 60 rpm to 300 rpm
- #12 attachment hub with 198 rpm speed
- Top cover, planetary cover and bayonet shaft in stainless steel. Durable powder coated finish used on outside surfaces not constructed of stainless steel.
- Rubber feet.
- Stainless Steel Bowl Screen
- Front mounted controls with 90-minute digital timer and emergency stop
- No bowl adaptors required for the down-size bowls
- By manually operating a single lever, the bowl raises and locks in position. Bowl lowering made easier by hydraulic damper
- High torque transmission. Grease lubricated, anti friction ball bearings.
- Permanently lubricated planetary head and attachment hub case
- Locking pin on tools instead of shaft.
- Safety cut-switch automatically turns the mixer off if Bowl Screen is open or bowl is lowered.
- Overload protection and no voltage release
- 6 feet cord
- ETL and NSF listed

Optional Features

- Mixer in Stainless Steel
- Marine version USPHS
- Prison package
- Mark IV Control System

Accessories:

- 30 quart bowl - Stainless steel
- Flat beater - Stainless steel
- Heavy Wire Whip - stainless steel wires
- Dough hook - stainless steel
- 16 quart bowl and accessories
- Bowl scraper in 30 quart and 16 quart sizes
- Stainless steel wing whip
- Bowl truck
- Stainless steel splash guard
- Bowl screen ingredient chute

Optional Attachments:

- Food slicer
- Meat grinder

Optional Equipment:

- Bowl lift Easylift II

Warranty:

One year parts and labor limited warranty

Approved By: _____

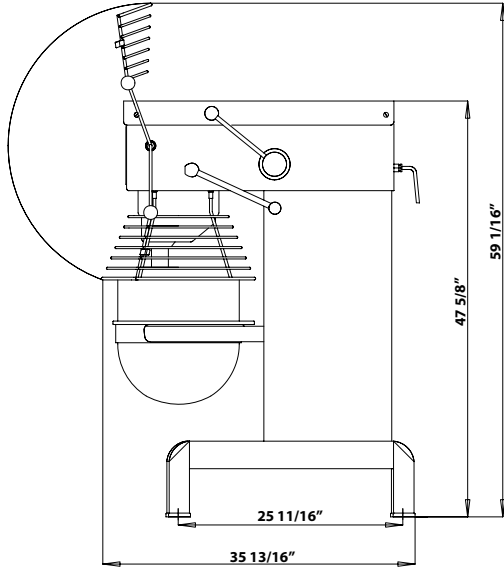
Date _____

 **Varimixer**
www.varimixer.com

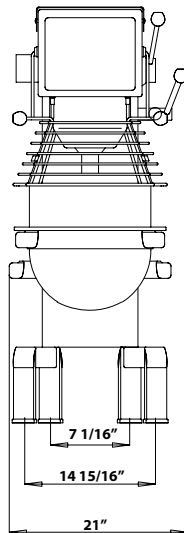
14240 South Lakes Drive
Charlotte, NC 28273
Phone: 800-222-1138
Fax: 704-583-1703
mixer@varimixer.com



V30 Food Mixer - 30 Quart Mixer



V30-V40



**Bowl lift
Easylift II**



Bowl scraper



Bowl truck



**Food slicer
312GS**



**Meat grinder
302**

Specifications

| Model No. | Capacity | Overall size | | | Net. weight |
|------------|--|---------------------|----------------|-------------------|----------------------|
| | | Height H | Width W | Length L | |
| V30 | Large bowl 30-qt. Small bowl 16-qt. | 47.625" (120.97 cm) | 21" (53.34 cm) | 35.81" (90.96 cm) | 456 lbs. (206.84 kg) |

Shipping information

| Class | CU. FT. | Dimensions | | | Weight |
|-------|---------|-----------------|----------------|----------------|----------------------|
| | | Height | Width | Length | |
| 85 | 55 | 61" (154.94 cm) | 32" (81.28 cm) | 49" (124.4 cm) | 525 lbs. (238.14 kg) |

| | | | |
|--|--------------------------------------|--------------|------------|
| Cord & Plug | Attached 6 foot flexible 3-wire cord | | |
| Electrical Data for Motor | Motor | Volts | Amp |
| Standard | 2 HP | 115/60/1 | 20 |
| Optional | 2 HP | 208/60/1 | 10 |
| Optional | 2 HP | 208/60/3 | 6.4 |
| Optional | 2 HP | 480/60/3 | 4.4 |
| On the nominal motor voltage, + or - 10% tolerance is allowed. | | | |
| Mixing Speed | | | |
| Agitator Speed | Min | Max | Hub |
| | 60 | 300 | 198 |

Capacity Chart

| | | |
|---------------------------|---------------------|---------|
| Mashed Potatoes | Whip or Beater..... | 26 lbs. |
| Whipped Cream | Whip..... | 6 Qts. |
| Muffins..... | Beater | 35 lbs. |
| Layer Cake | Beater | 35 lbs. |
| Pancake Batter..... | Whip or Beater..... | 14 Qts |
| Cookie Dough..... | Beater or Hook..... | 20 lbs. |
| Donuts, Yeast | Hook | 34 lbs. |
| Donuts, Cake..... | Beater | 34 lbs. |
| Bread Dough (65% AR)..... | Hook | 35 lbs. |
| Pizza Dough (50% AR)..... | Hook | 25 lbs. |

%AR=weight of water
weight of flour

Batch size and/or speed reduction is required if any of the following conditions exist.

1. High Gluten Flour
2. AR % under 40%
3. Water Temperature under 65 Degrees F.

Mixer in Stainless Steel
 Marine version USPHS: Stainless steel execution, stainless steel bowl arms, water cover at air ventilation, slotted free screws, full welded stainless steel knees.
 Prison package
 MK IV Control Panel: Programmable electronic panel



14240 South Lakes Drive
 Charlotte, NC 28273
 Phone: 800-222-1138
 Fax: 704-583-1703
 mixer@varimixer.com