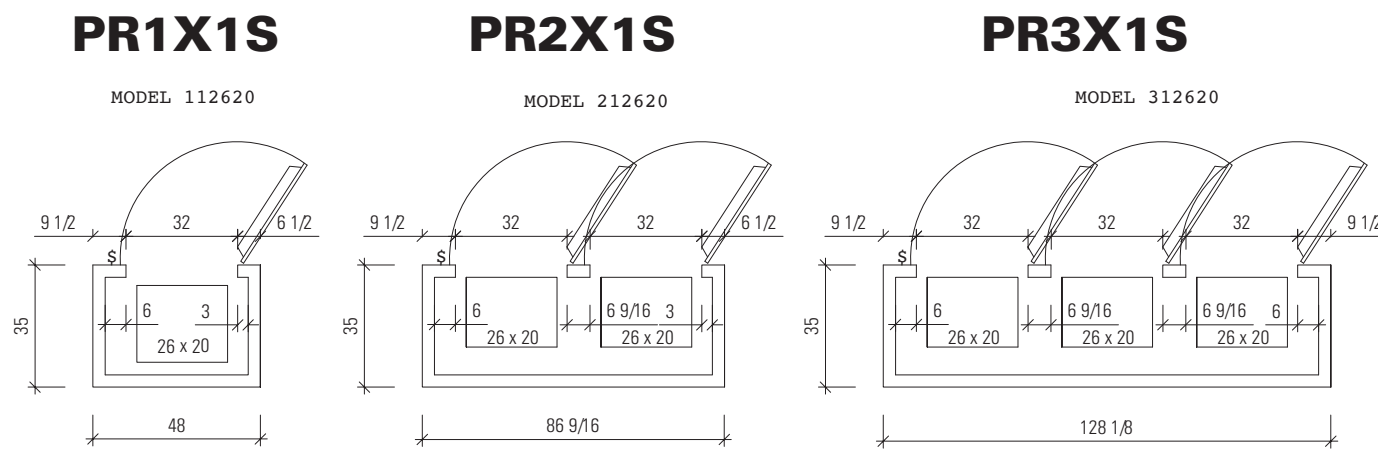




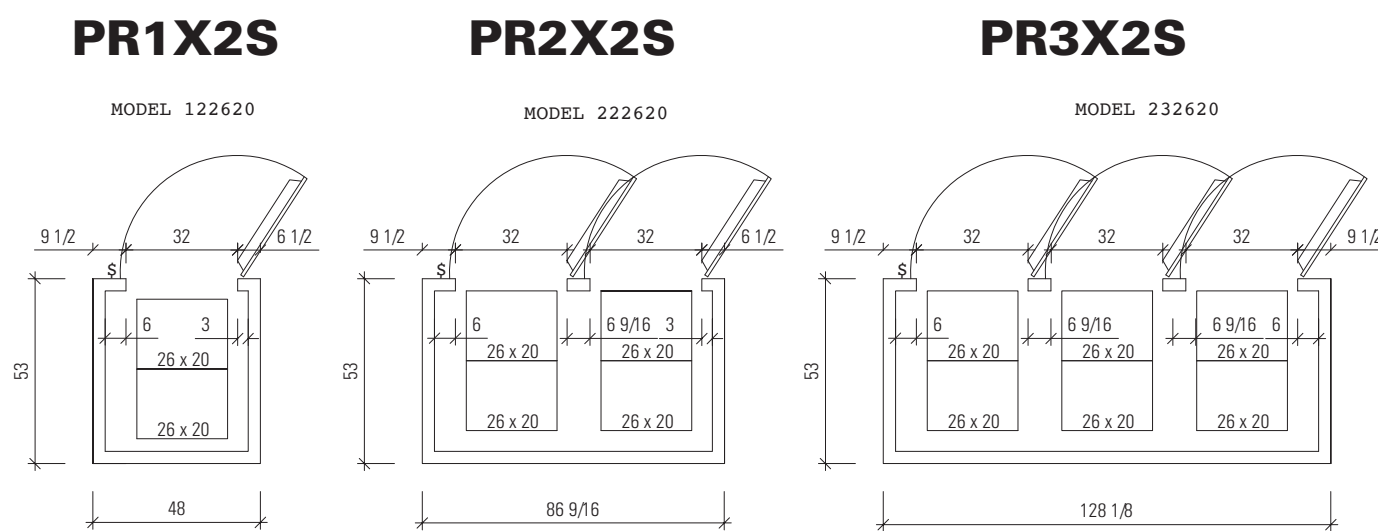
# Proofer-Retarders, Walk-In Coolers & Freezers, Dedicated Proofers & Retarders

Custom controls & diffusers by TMB Baking, Boxes by Imperial Brown & Refrigeration/Freezing by Heatcraft

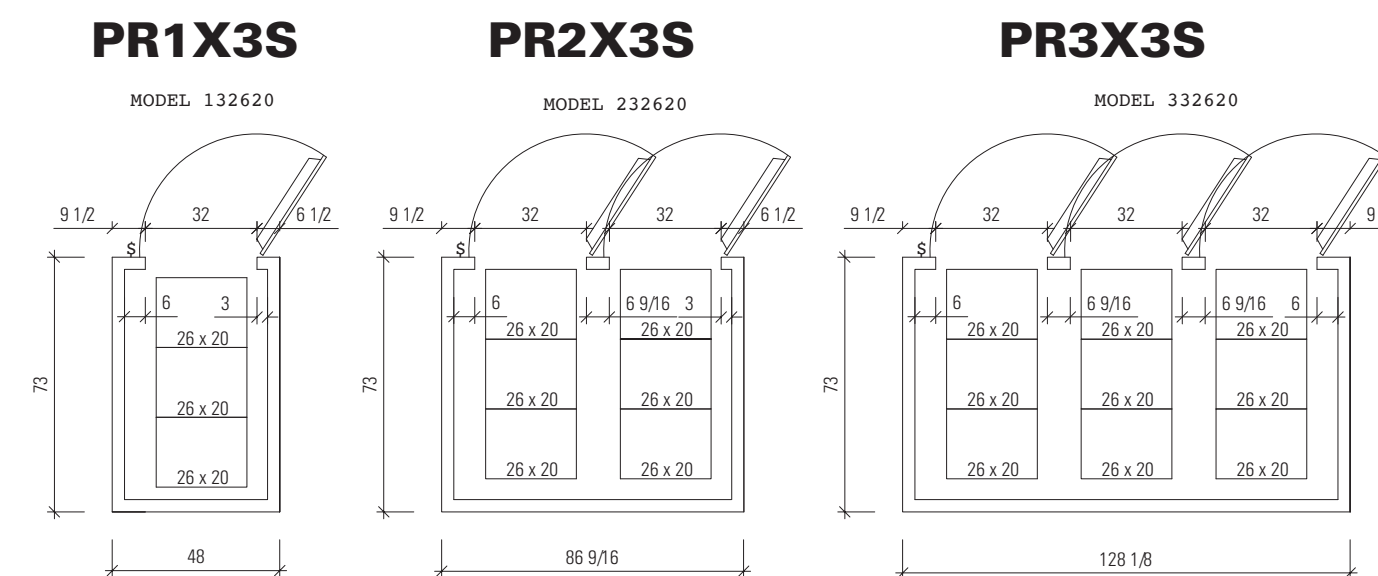
THE HEART OF ARTISAN BAKERIES™



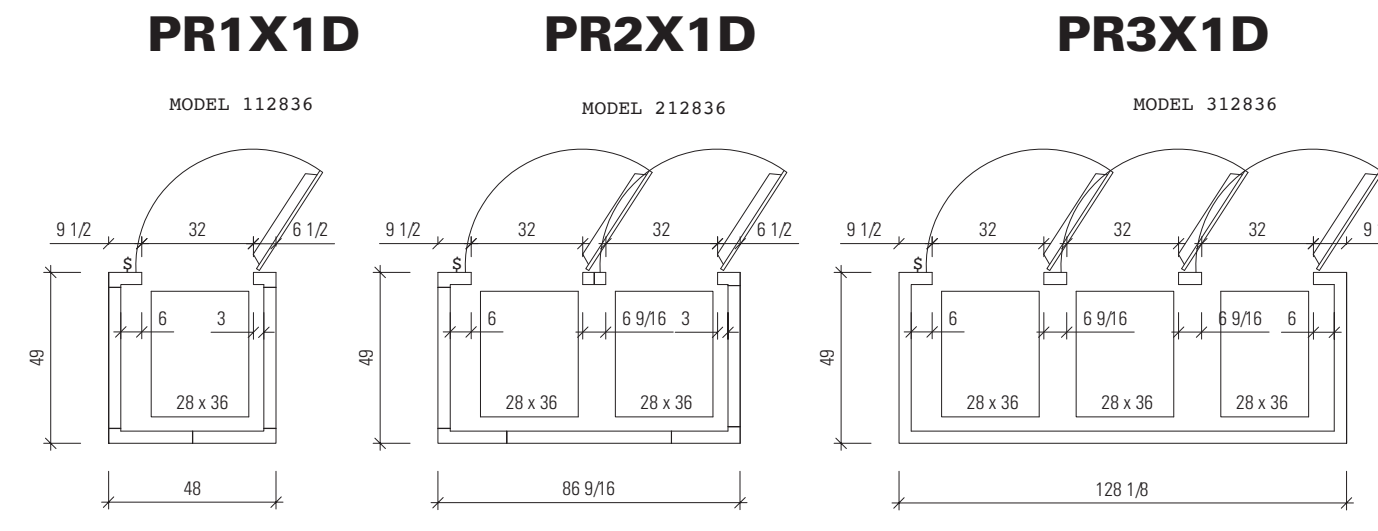
1 Single 26 x 20 Carts



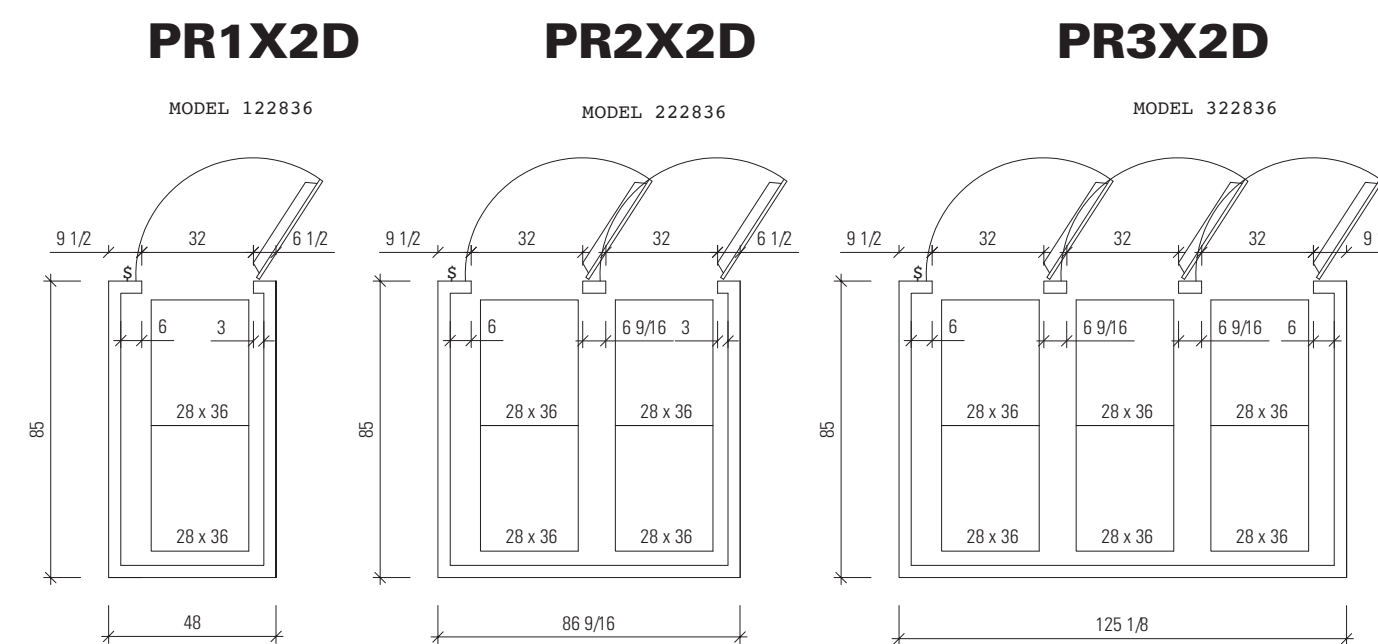
2 Double 26 x 20 Carts



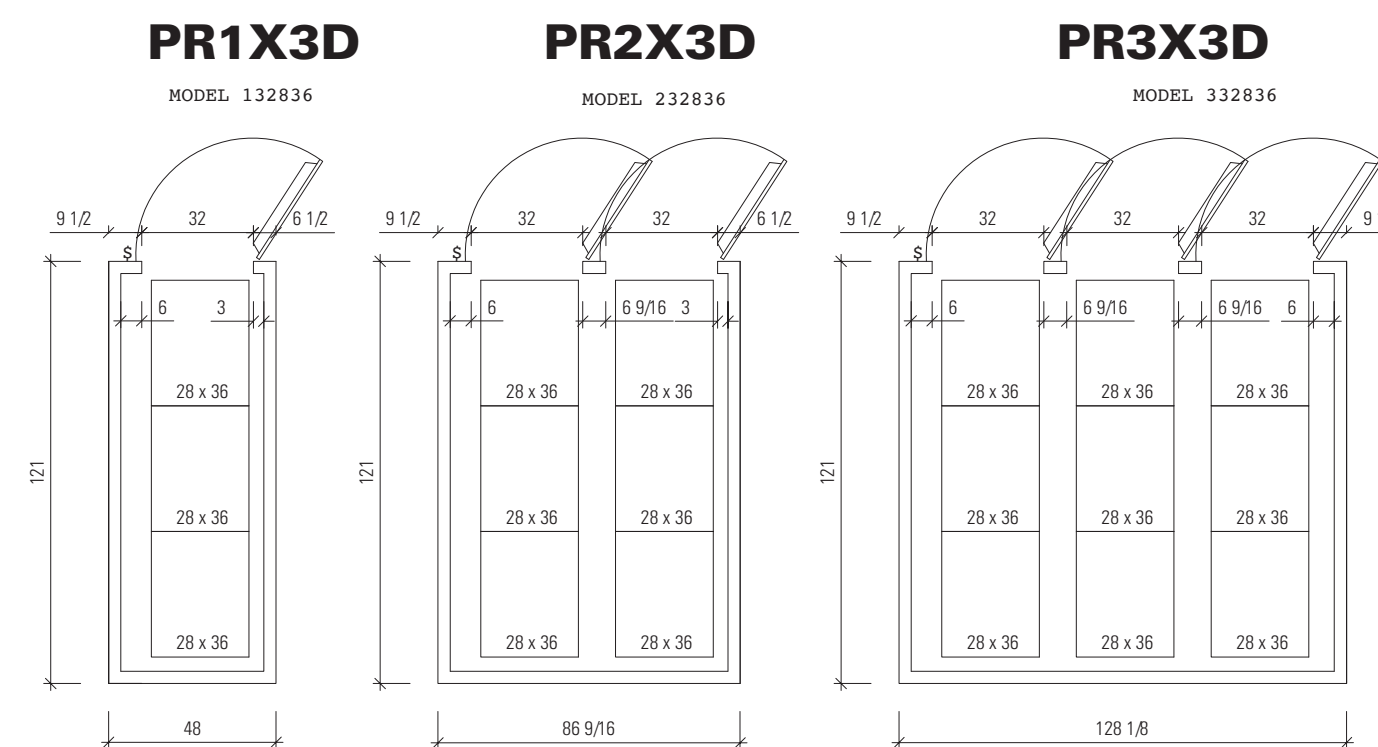
3 Triple 26 x 20 Carts



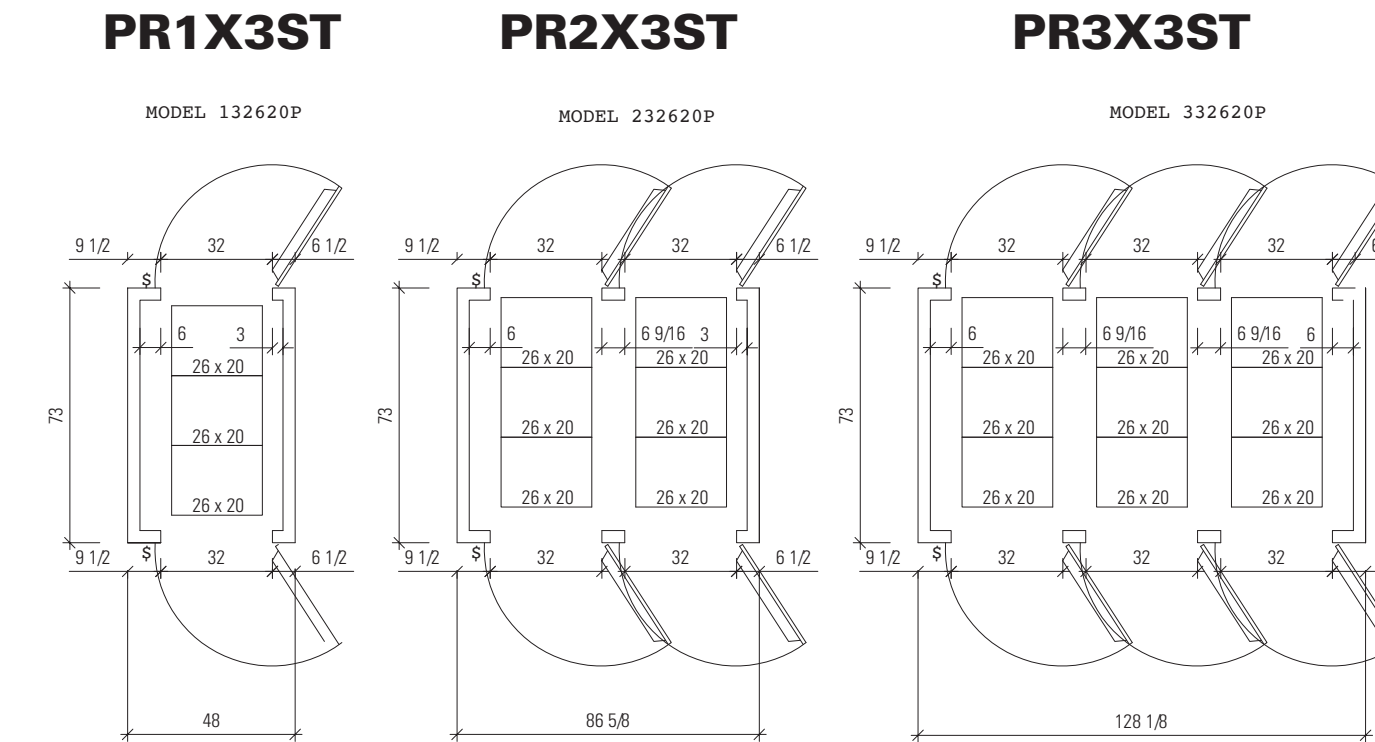
5 Single 28 x 36 Carts



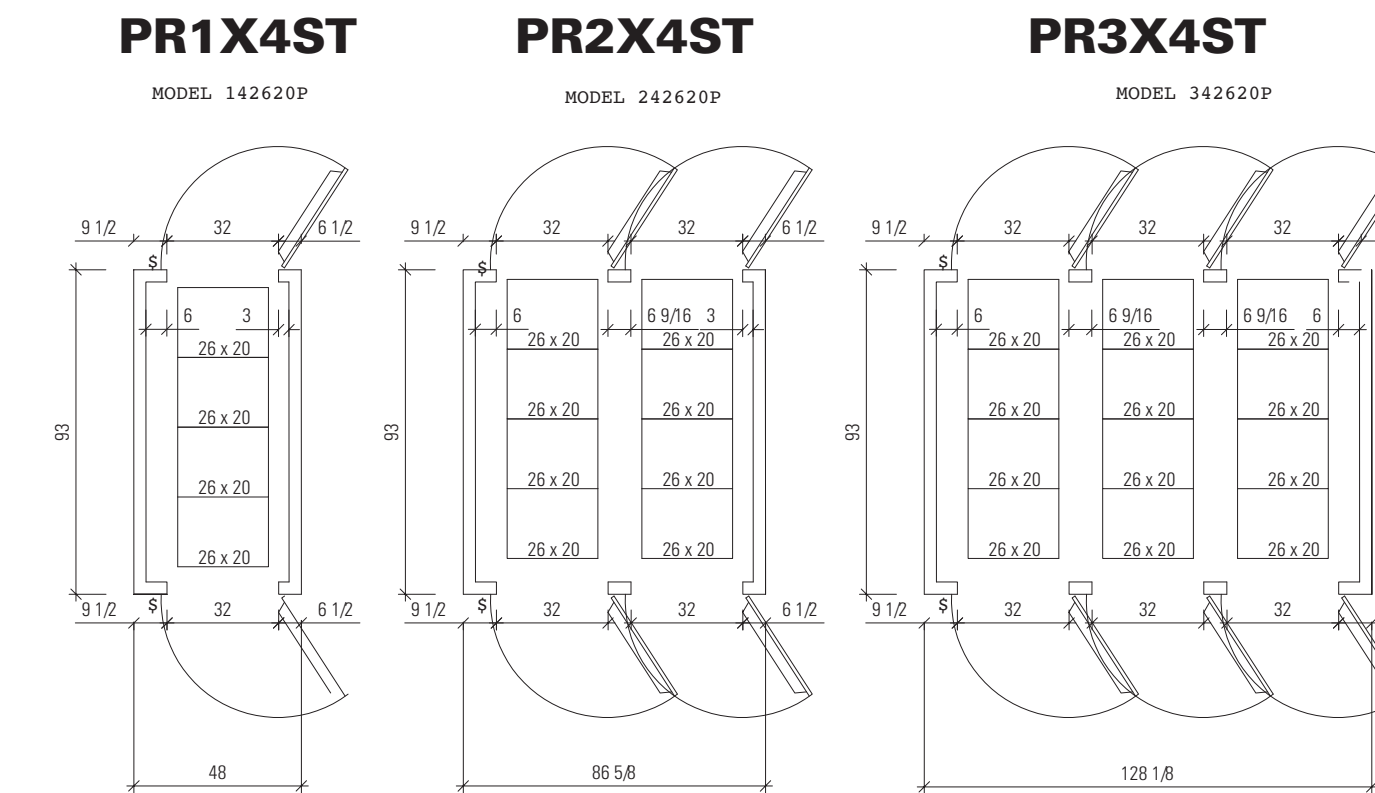
6 Double 28 x 36 Carts



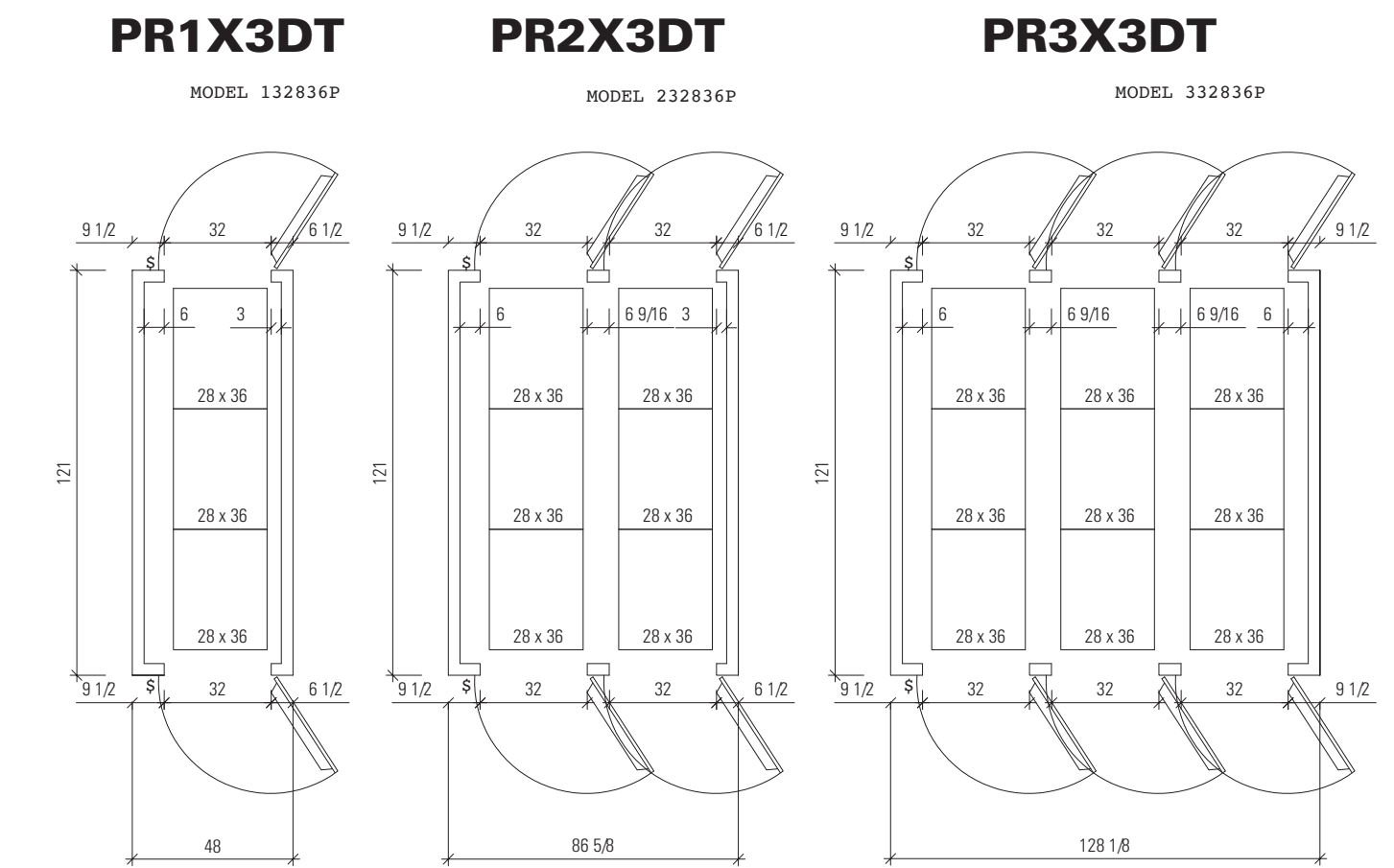
7 Triple 28 x 36 Carts



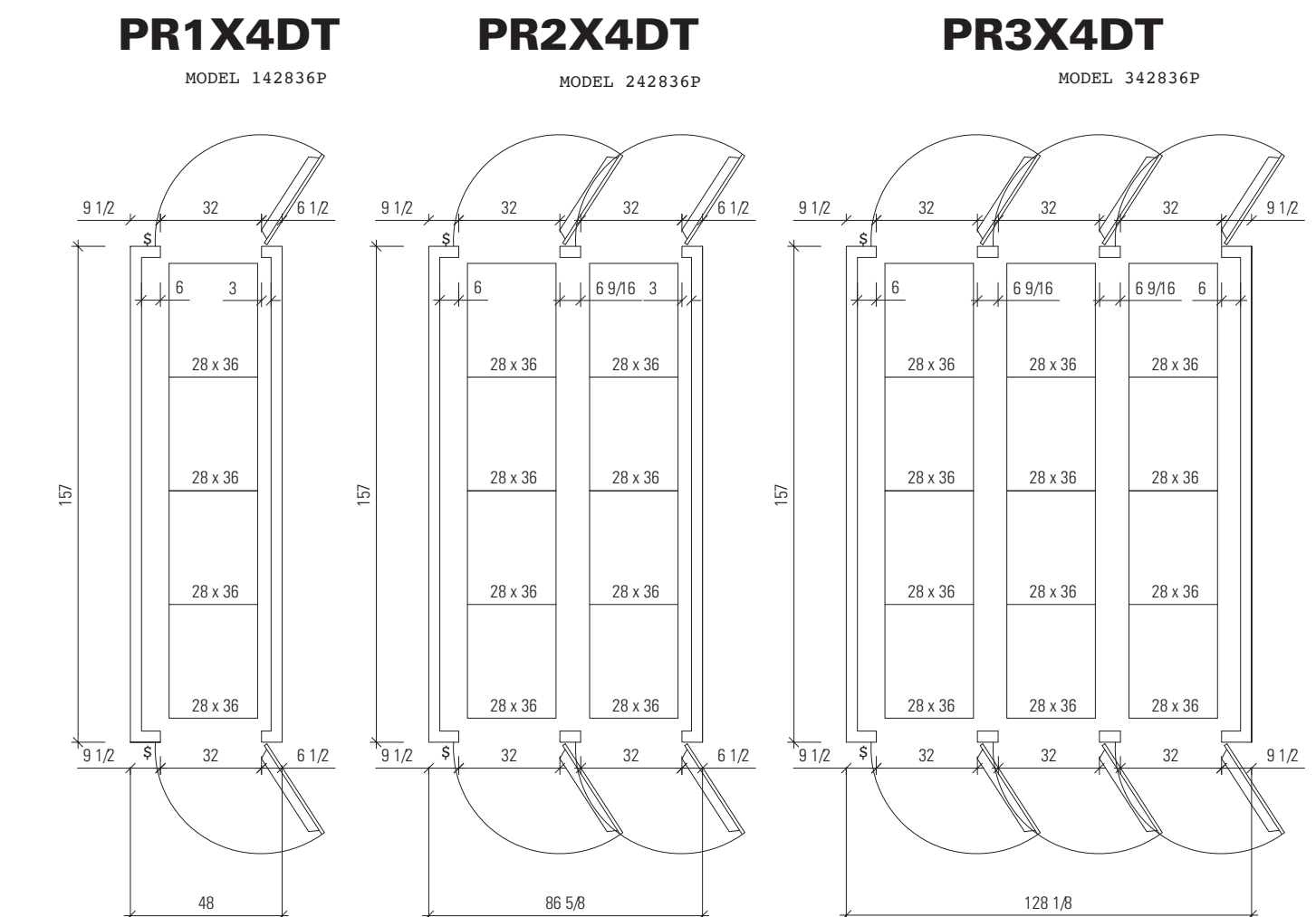
4 Triple 26 x 20 Carts Pass thru



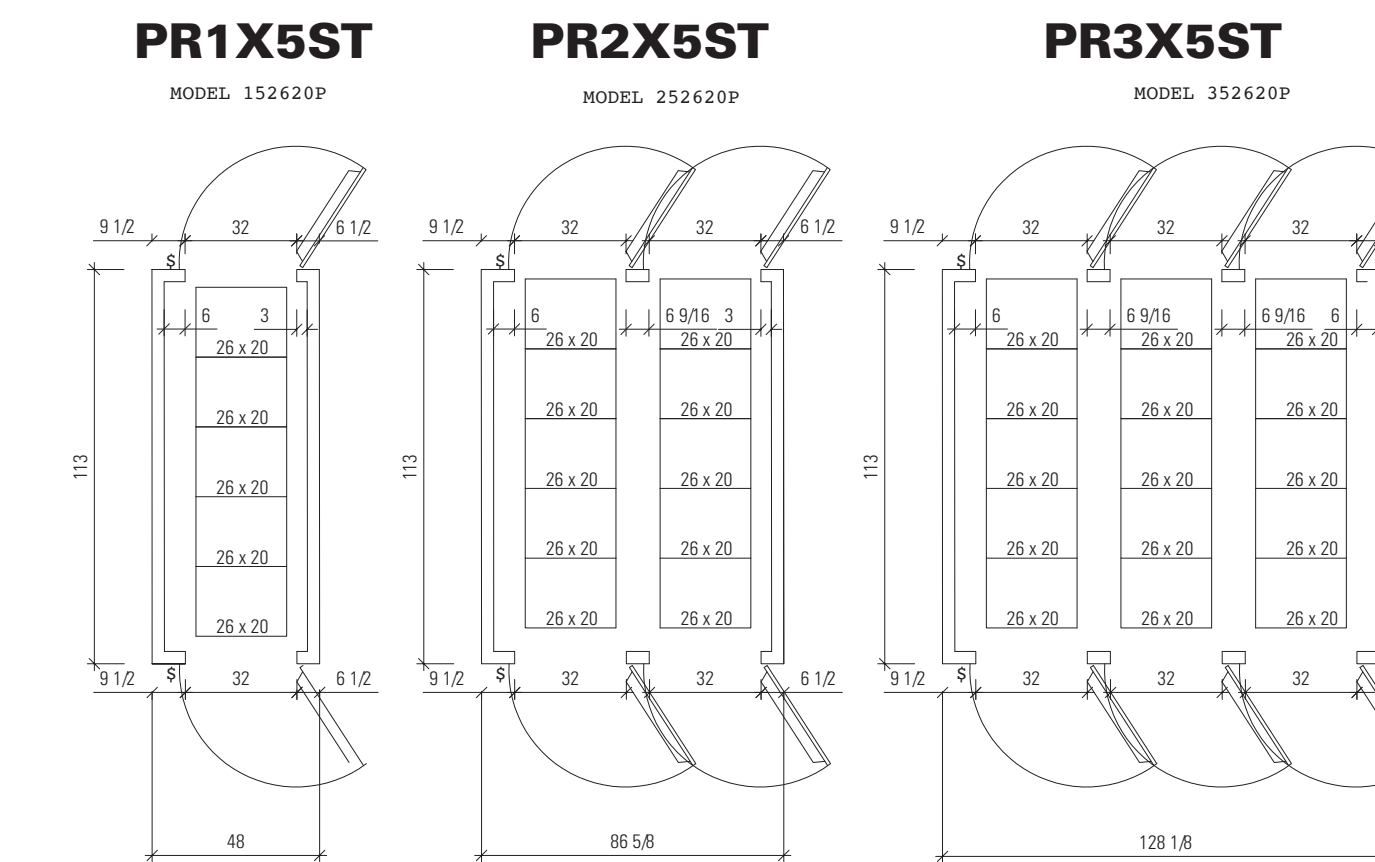
9 [4] 26 x 20 Carts Pass thru



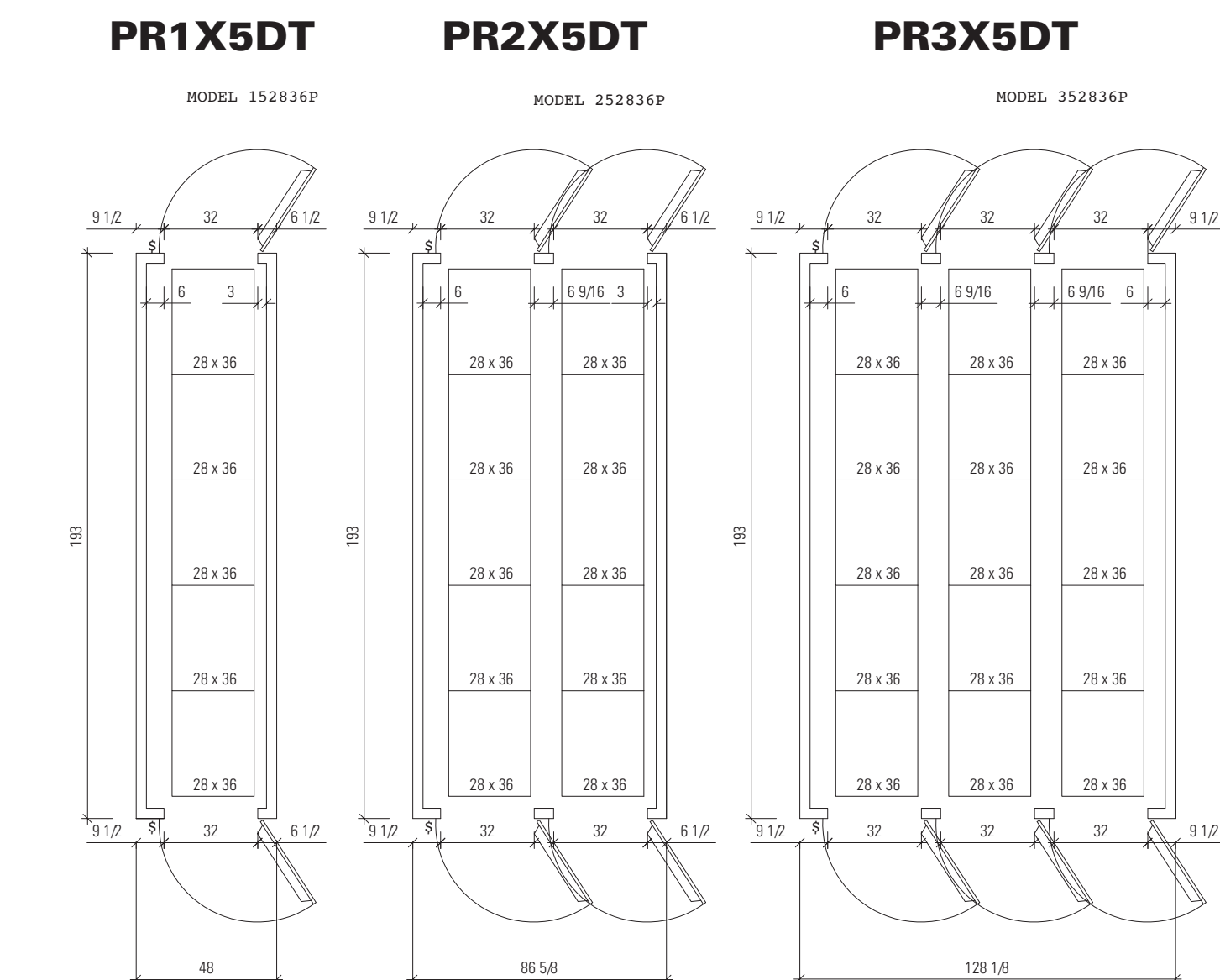
8 Triple 28 x 36 Carts Pass thru



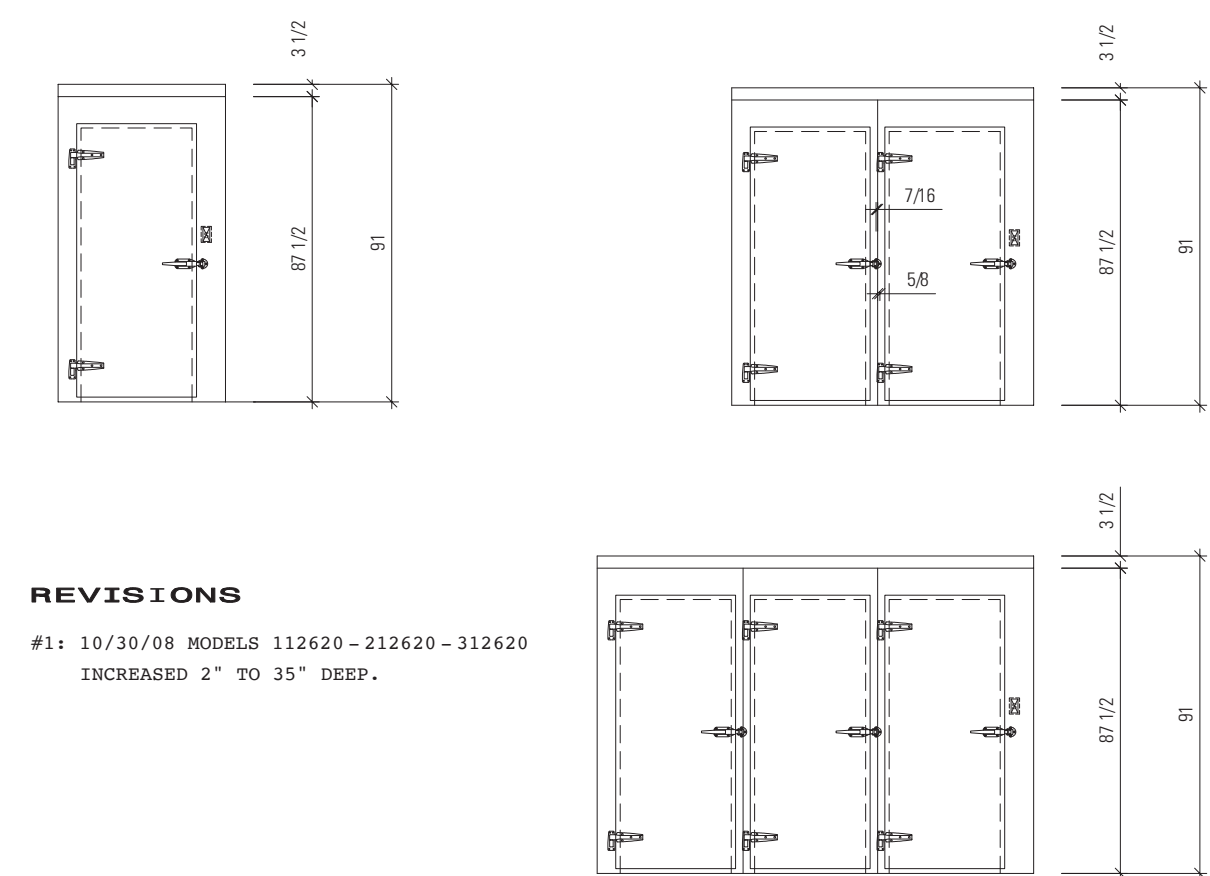
11 [4] 28 x 36 Carts Pass thru



10 [5] 26 x 20 Carts Pass thru



12 [5] 28 x 36 Carts Pass thru



**REVISIONS**

#1: 10/30/08 MODELS 112620-212620-312620 INCREASED 2" TO 35" DEEP.

**SPECIFICATIONS**

Indoor proofer  
NSF Foam Gasket, Cam-lock layout #2  
WCND - Pin Housing

MODEL NUMBER # of CARTS WIDE-# of CARTS DEEP-CART SIZE-PASS THRU (DOORS @ BOTH ENDS)

112620 = 1 CART WIDE-1 CART DEEP-26" X 20" CART

342836P = 3 CART WIDE-4 CART DEEP-28" X 36" CART, DOORS @ BOTH ENDS

**WALL PANELS**  
Construction: 3 1/2" wood frame urethane  
Exterior Finish: stainless steel 304 #4 22 gage  
Interior Finish: stainless steel 304 #4 22 gage  
Connections: Cam-lock / Angle screed

**CEILING PANELS**  
Construction: 3 1/2" wood frame urethane  
Exterior Finish: stainless steel 304 #4 22 gage  
Interior Finish: stainless steel 304 #4 22 gage  
Ceiling Caps: Factory mounted  
Live Load: 10 psf

**DOORS**  
32" x 78" Overlap model G3 cooler door  
Frame: 3 1/2" high density urethane  
Plug: 3-side laps, 4" thick w/ stainless steel 304 #4 22 gage w/ Magnetic gasket  
(3) Kason #1245 camlift hinges  
(1) Kason #27C cylinder locking handle w/ inside release  
(1) pilot light w/ press switch and weather proof cover plate

**PARTS**  
( ) vapor proof light fixture with luzon globe  
( ) 6" stainless steel 304 #4 22 gage cover base at interior and exterior

Let TMB Baking and Imperial Brown design and build a custom configuration to meet your needs.

527 DNA Way, South San Francisco, CA 94080 | (650) 589-5724 tel | (650) 589-5729 fax | contact@tmbbaking.com email | www.tmbbaking.com

