



ZIP

Bagel, Baguette
and Sub roll slicer



Bread Slicer

It works with a baguette or a roll

Quick, practical, effective and quiet.

Featuring

- Very quiet operation
- Variable blade settings
- Variety of cutting heights and depths
- Can handle large bagels
- Heavy duty design
- Thruput of up to 2000 slices/hour



ZIP



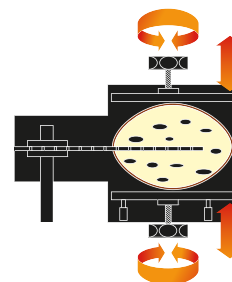
Adjustments

The two settings make it possible to adapt to scores of products and slice either completely or partially.

1. Possibility of adjusting the blade to the baguette width.

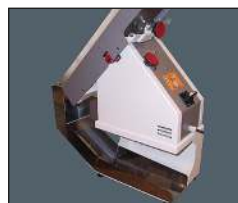


2. Possibility of adjusting the blade to the thickness of the baguette and to the desired slice.



Safety

catcher to deflect the bagel rolls



Safety

The ZIP helps you every day in avoiding a hand injury.



Power, Speed

The circular blade (easy to replace) can accurately slice up to 2,000 items per hour.



Versatility

Adapts to a wide variety of products: baguette, roll, cake, etc.

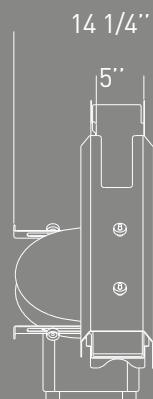
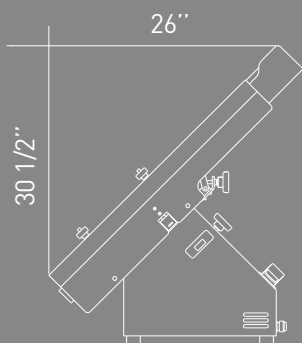


Safety

At the outlet, the stainless steel flaps prevent accidental entry of the fingers.



DIMENSIONS (mm)



ZIP

Technical characteristics

Max. loaf dimensions (Lxwxh)	23 x 4 1/4" x 2 3/4"
Power output (in kW)	0,49
Net weight	77 lbs
Type of motor 110V	single phase