

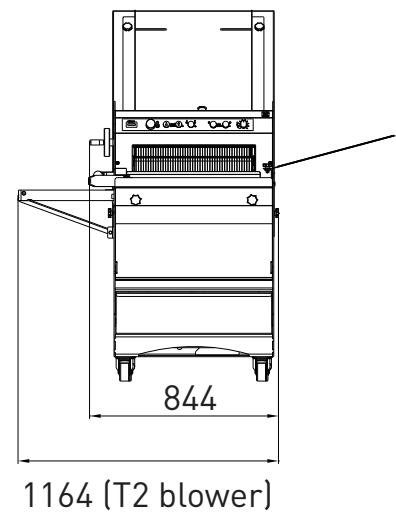
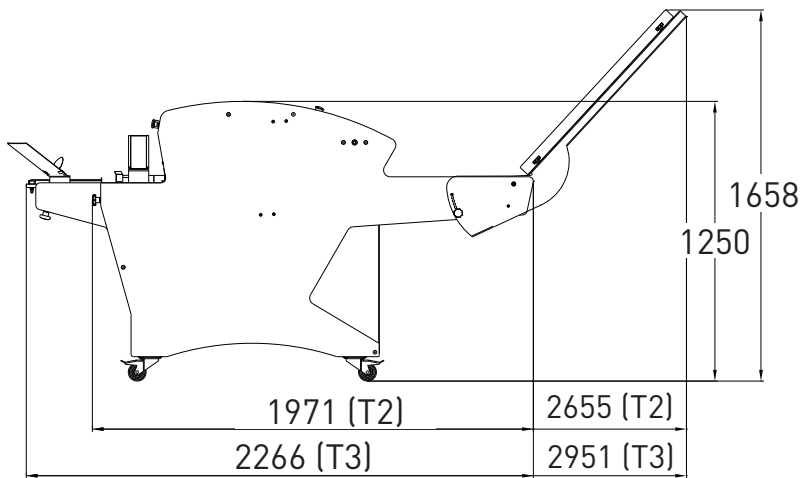
# Continuous cut slicers

# FULL

- ✓ Continuous slicing of all types of bread
- ✓ High speed, thanks to motorised drive belts
- ✓ Uncompromising robustness
- ✓ Adjustable speed



Up to 1000 loaves an hour





**Front control panel**  
 Motorised adjustment of the upper belt height (height of loaves). Next to the front panel controls, a timer accurately records your working time.



**Full 520 T2**  
**Foldable bag blower**  
 Saves packaging time.



**Rear loading belt**  
 Provides uniform continuous cutting, thanks to adjustable side guides.



**Full 520 T3**  
**Motorised outfeed belt**  
 Fitted with adjustable guides to ensure that the bread is held together after cutting.



**Variable speed drive**  
 Allows the cutting speed to be adjusted to suit the type of bread.



**Option**  
**Loading ramp**  
 Fitted with side guides, increases loading capacity.

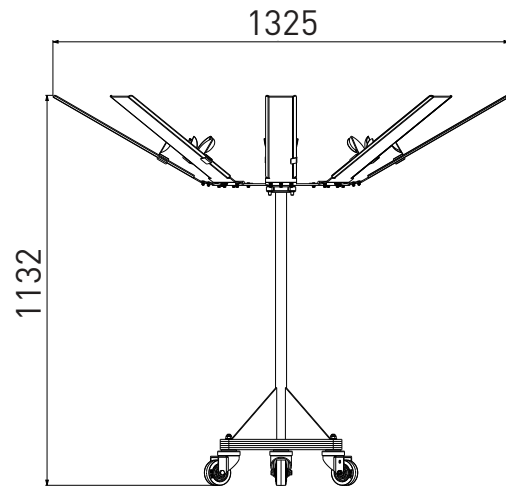


**Two crumb collectors**  
 33 litre capacity each.

FEATURES	FULL 520 T2	FULL 520 T3
Max. loaf dimensions in cm (W x H)	52 x 16	52 x 16
Foldable bag blower	•	
Motorised outfeed belt		•
Motor power in kW	1.1	1.1
Net weight (in kg)	365	385
Blade type and dimensions in mm	13 x 0.7 steel	13 x 0.7 steel
<b>CHOICES</b>		
Slice thickness in mm	11 - 18	11 - 18
Type of motor	230V three-phase 400V three-phase	230V three-phase 400V three-phase
<b>OPTIONS</b>		
Loading ramp	•	•
Special blades	•	•

## Bagging turnstile

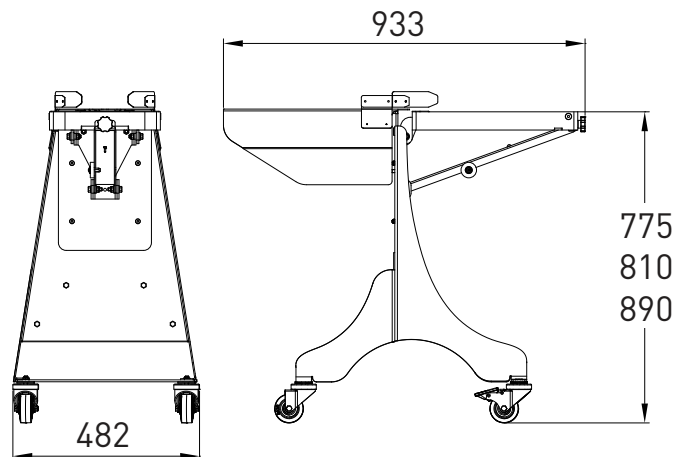
Allows several loaves to be packaged very quickly one after the other.



Dimensions (in mm)

## Bag blower

Additional mobile blower



Dimensions (in mm)

### FEATURES

Type of motor

| 230V single phase |