



Top quality
Affordable price !

Bread Slicer

The smallest among the major bakery slicers

The user-friendliness, slicing quality and ergonomic design of this table-based bread slicer will no doubt win you over. The Pico and Picomatic are so compact that they can easily be integrated in your sales premises.

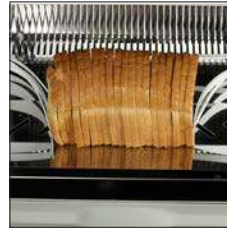
Featuring

- Table top model
- Soundproof body - Very quiet operation
- High strength durable crumb tray
- Easily integrated into sales premises
- User friendly
- Ergonomic design
- 3 year warranty
- Standard slice size :
11mm 7/16", 13mm 1/2", 16mm 5/8"
- Optional Sizes ranging from
9mm 3/8th" to 25 mm 1"

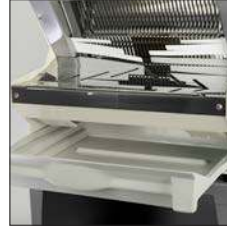




PICO



The Pico and Picomatic can easily take large round loaves. Once cut the slices are maintained by the Jac Flaps.



A thermoformed tray made out of a high-strength techno polymer will collect up to 2 gallons of crumbs.



Optional Rear Safety cover available on both Pico and Picomatic models.



Also optional on the Pico and Picomatic is the supply of a base mounted on casters with an in-built shelf for storing bags.

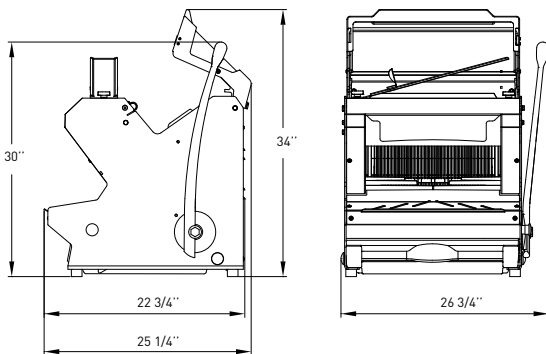


PICOMATIC



The digital screen tells the user when the blades should be replaced, and on specific machines, when the level of edible lubricant needs to be topped up. Available on Picomatic models only

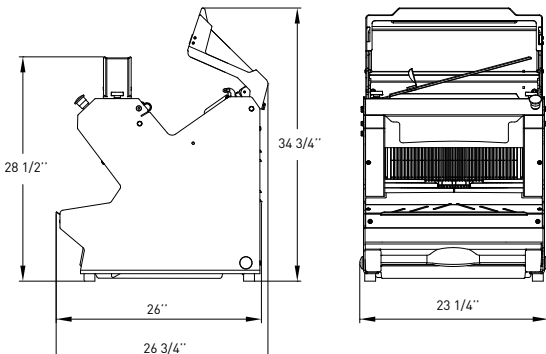
PICO DIMENSIONS



CHOICE OF COLOURS



PICOMATIC DIMENSIONS



	PICO 450	PICOMATIC 450
FEATURES		
Max. loaf dimensions (L x w x h) (in inches)	17 1/4" x 11 3/4" x 7"	17. 1/4" x 11 3/4" x 7"
Power output (in kW)	0.55	0.55
Net weight (in lbs)	231	231
CHOICE OF		
Slice thickness	11mm (7/16th) to 16mm (5/8th)	11mm (7/16th) to 16mm (5/8th)
Loaf height	low, normal, high	low, normal, high
Type of motor 110/240V	single or three-phases	single or three-phases
OPTIONS		
Base with casters (24.4 inches)	■	■
Safety lid	■	■

TECHNICAL SPECIFICATIONS