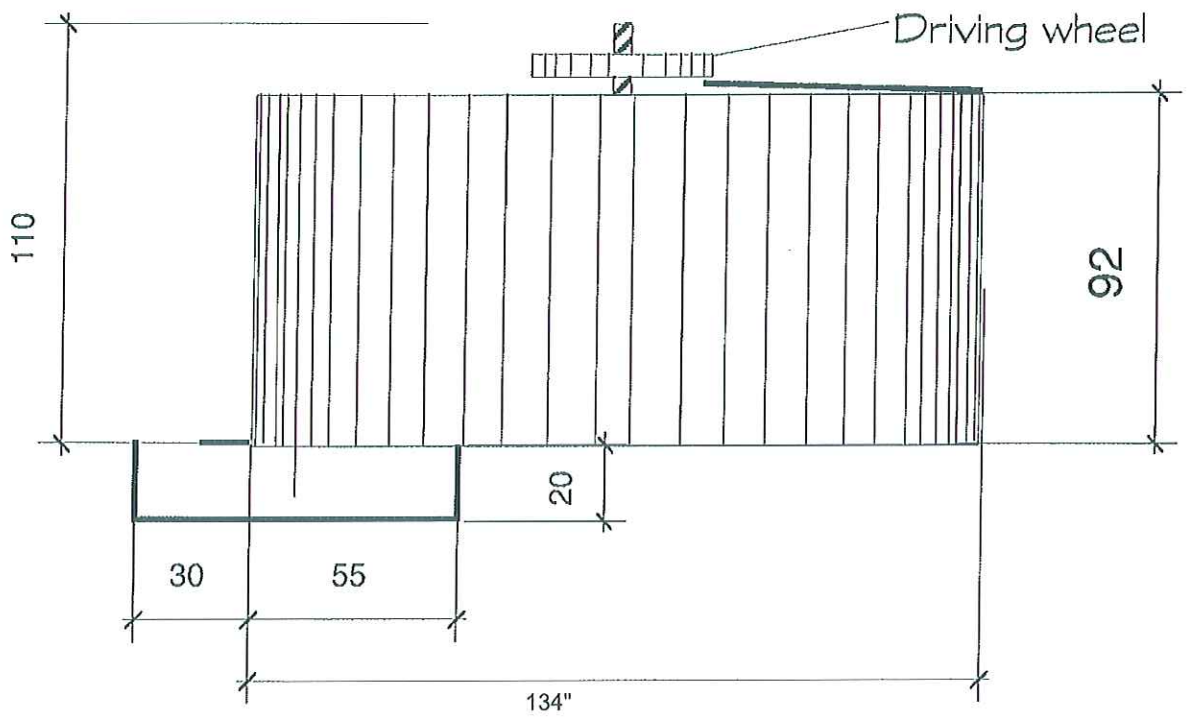
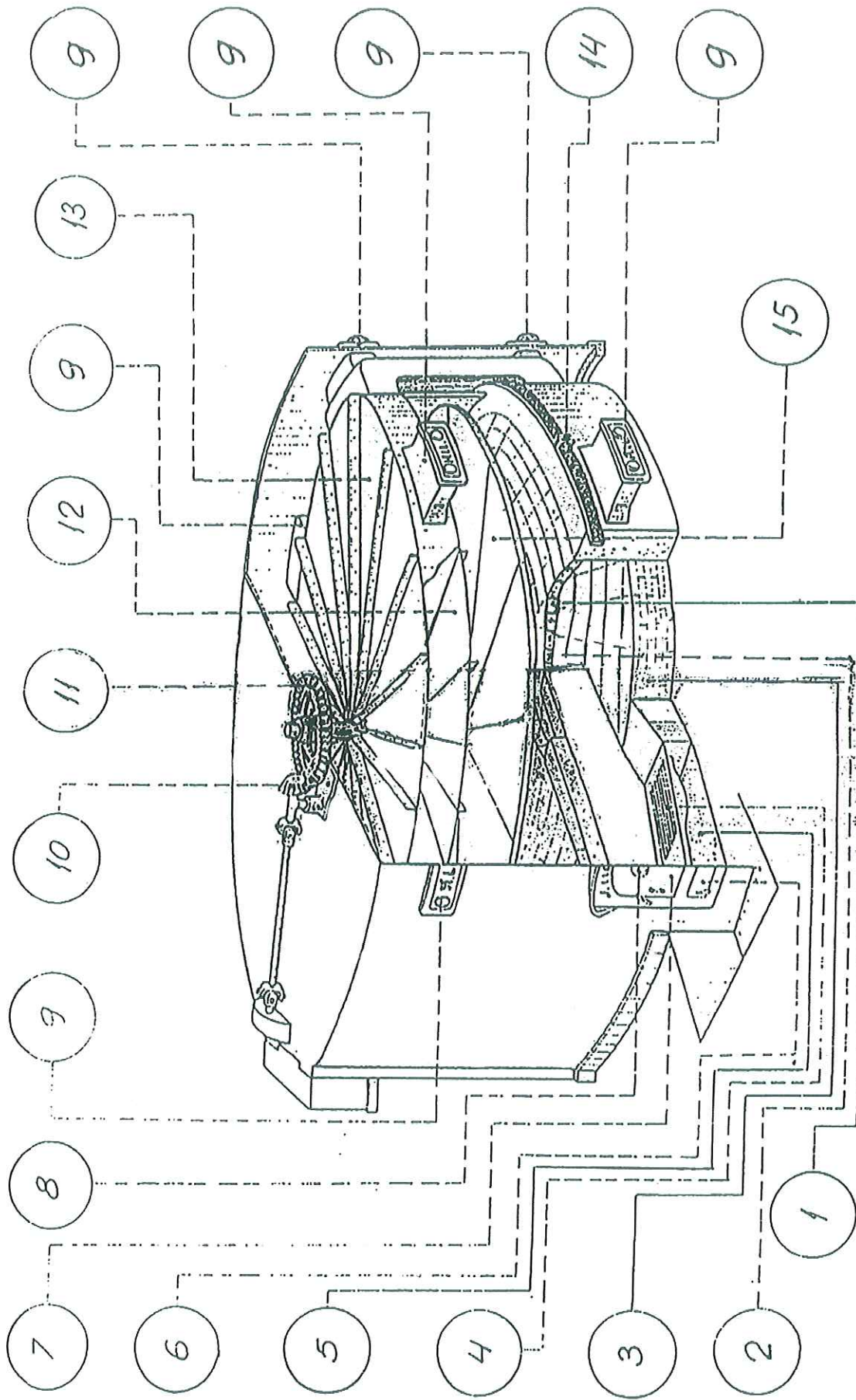


Ash pit sizes for L.Lopis brick oven
 To be located 45° left to loading window.

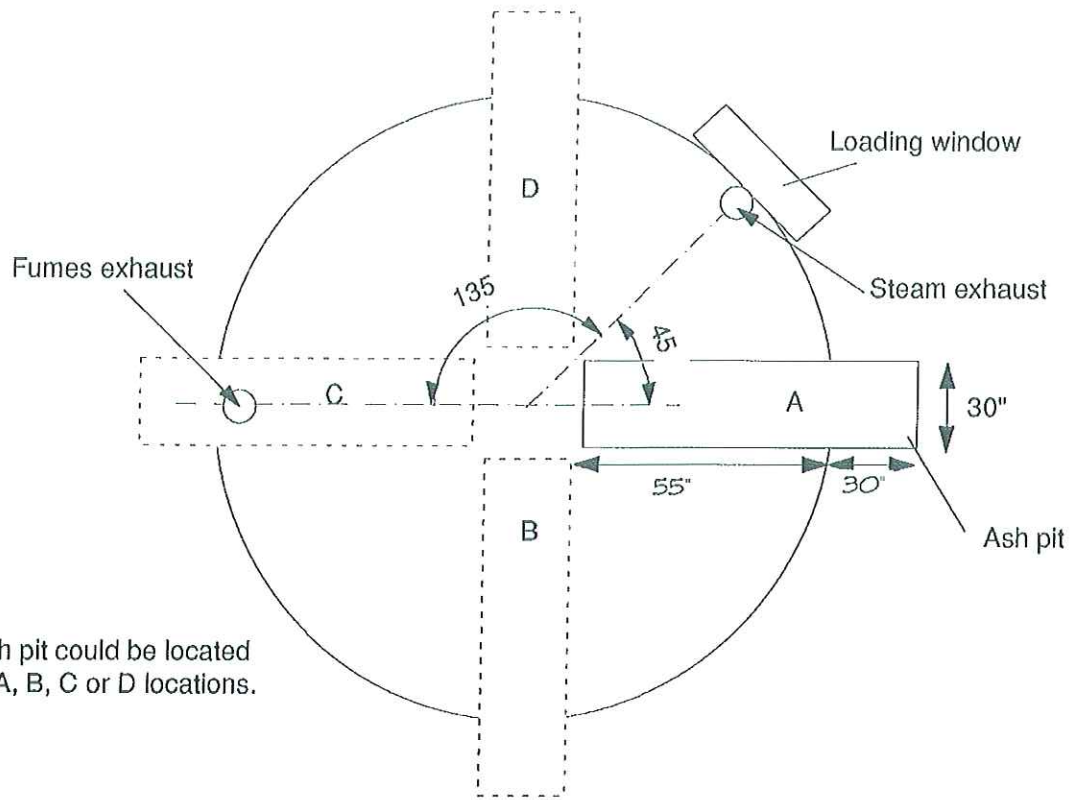




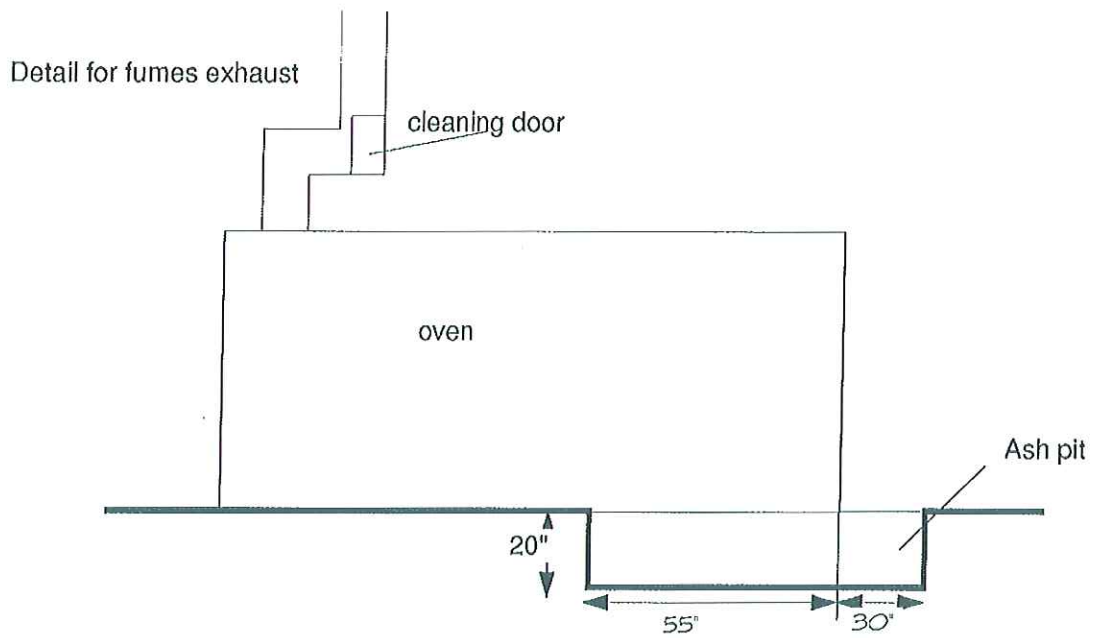
1	Vault
2	Hot gas chamber
3	Insulation
4	Hearth
5	Ashtray

6	Ashtray Door
7	Hearth Door
8	See-thru Hole
9	Cleaning doors
10	Cogged Pinion

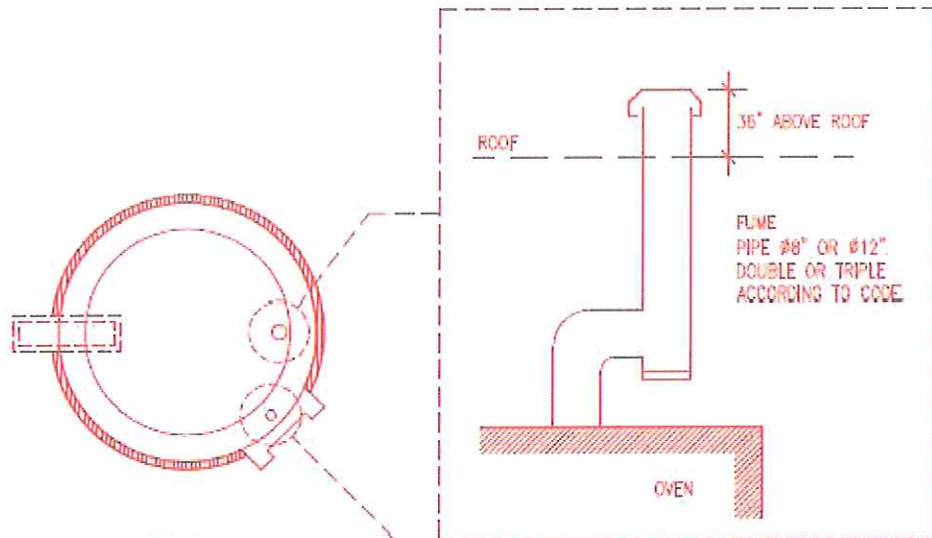
11	Cogged Wheel
12	Baking Chamber Ceiling
13	2nd Ceiling
14	Vault Bridle
15	Revolving stone deck



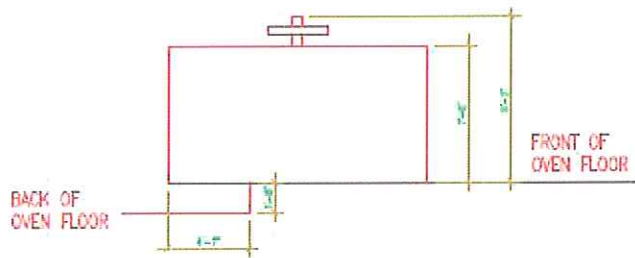
The ash pit could be located in any A, B, C or D locations.



Note: Both exhausts should be 36" above the roof, 36" away from the highest surrounding wall and covered with weather cap.



PLAN



SIDE VIEW

