



## TILTI Vertical bowl lifter-Tilter

The TILTI bowl lifter enables the contents of a removable ISE N A – ISE A (\*\*) – FBLA (\*\*) mixer bowl to be tipped automatically onto a table or into a SP – DVP divider hopper. The vertical lift of the bowl, the choice of front and lateral coupling, both with discharging to the right or to the left, allow the ideal flexibility of use and containment of operational dimensions. On request, for the typical needs of the industrial lines, the TILTI elevator can be built with pairing heights till mm 3100, with safety cage and automatic discharge.

### Features

- Steel heavy duty carpentry structure oven painted with anticorrosion treatment and epoxy coating (food-grade).
- Lifting system with hydraulic piston.
- Hold-to-run type controls.
- Bowl position detector.
- Low tension 24 V control panel.
- Power supply: V 400/3/50 Hz on standard (other power supply on request).

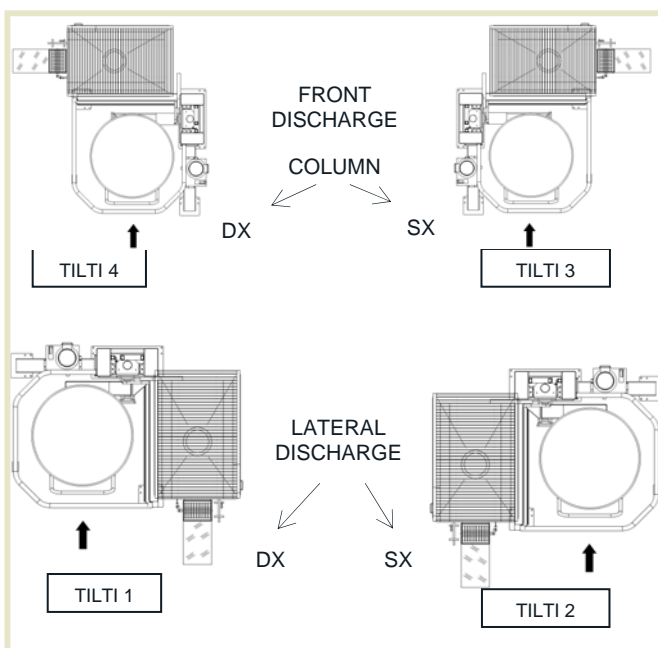
(\*\*) for ISE A and FBLA is needed the kit cod. 112957 for each trolley-bowl too

### Configurations

- DISCHARGING "HIGH" - INTO THE HOPPER
- TILTI H-1 – lateral side discharge on the right
  - TILTI H-2 – lateral side discharge on the left
  - TILTI H-3 – frontal discharge, left column
  - TILTI H-4 – frontal discharge, right column

- DISCHARGING "LOW" - ONTO BENCH
- TILTI B-1 – lateral side discharge on the right
  - TILTI B-2 – lateral side discharge on the left
  - TILTI B-3 – frontal discharge, left column
  - TILTI B-4 – frontal discharge, right column

SPECIAL EXECUTIONS, ON REQUEST  
Discharging heights higher than mm 1800 up to mm 3100 and/or models with automatic discharging and safety cage (Industrial versions), are personalized executions, on request.

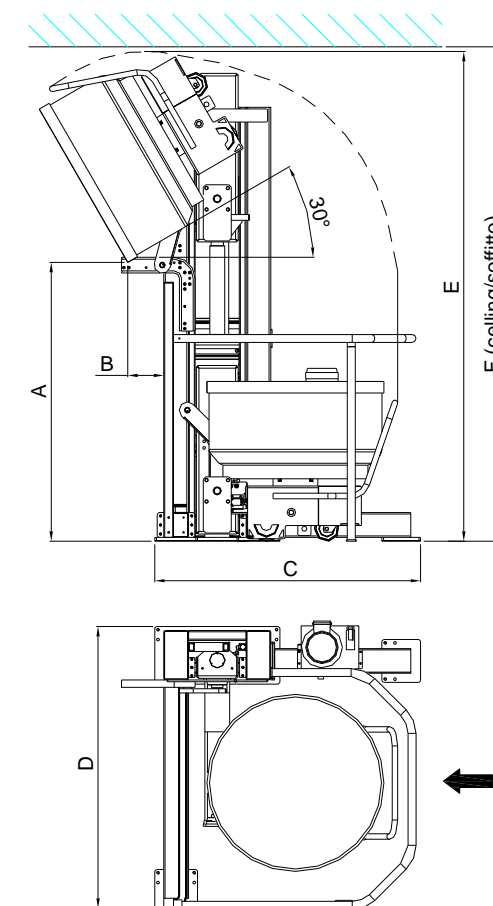
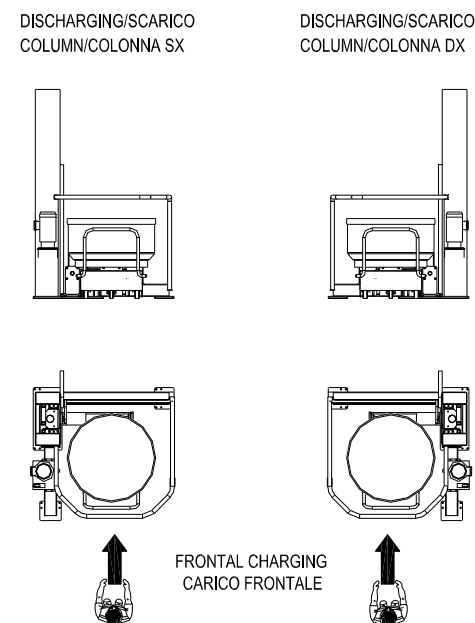


## SOLLEVATORE DI VASCHE - TILTI

NOR07F004-1\_02

### BOWL LIFTER - TILTI

TILTI -FRONTAL CHARGING / CARICO FRONTALE-  
HIGH DISCHARGING COLUMN DX / SCARICO ALTO COLONNA A DX = TILTI H-4  
HIGH DISCHARGING COLUMN SX / SCARICO ALTO COLONNA A SX = TILTI H-3  
LOW DISCHARGING COLUMN DX / SCARICO BASSO COLONNA A DX = TILTI B-4  
LOW DISCHARGING COLUMN SX / SCARICO BASSO COLONNA A SX = TILTI B-3



### DISCHARGING TO BENCH / SCARICO A BANCO

| TILTI / F |    | BOWL / VASCA 160 | BOWL / VASCA 200 | BOWL / VASCA 250 | BOWL / VASCA 300 |
|-----------|----|------------------|------------------|------------------|------------------|
| A         | mm | 1320             | 1290             | 1240             | 1200             |
| B         | mm | 150              | 200              | 140              | 210              |
| C         | mm | 1615             | 1615             | 1615             | 1615             |
| D         | mm | 1710             | 1710             | 1710             | 1710             |
| E         | mm | 2470             | 2470             | 2470             | 2470             |

| TILTI / F                   |    | BOWL / VASCA 160        | BOWL / VASCA 200 | BOWL / VASCA 250 | BOWL / VASCA 300 |  |
|-----------------------------|----|-------------------------|------------------|------------------|------------------|--|
| A                           | mm | 1815                    | 1785             | 1735             | 1695             | DISCHARGING ON THE HOPPER WITH CELLING / SCARICO SU TRAMOGGIA CON SOFFITTO H minima = 3000 mm. |
| B                           | mm | 150                     | 200              | 140              | 210              |  |
| C                           | mm | 1615                    | 1615             | 1615             | 1615             |  |
| D                           | mm | 1710                    | 1710             | 1710             | 1710             |  |
| E                           | mm | 2970                    | 2970             | 2970             | 2970             |  |
| WITH HOPPER / CON TRAMOGGIA |    | HLR-220 Kg - HLT-280 Kg |                  | /                | /                |  |

| TILTI / F                   |    | BOWL / VASCA 160        | BOWL / VASCA 200 | BOWL / VASCA 250 | BOWL / VASCA 300 |  |
|-----------------------------|----|-------------------------|------------------|------------------|------------------|--|
| A                           | mm | 1915                    | 1885             | 1835             | 1795             | DISCHARGING ON THE HOPPER WITH CELLING / SCARICO SU TRAMOGGIA CON SOFFITTO H minima = 3100 mm. |
| B                           | mm | 150                     | 200              | 140              | 210              |  |
| C                           | mm | 1615                    | 1615             | 1615             | 1615             |  |
| D                           | mm | 1710                    | 1710             | 1710             | 1710             |  |
| E                           | mm | 3075                    | 3075             | 3075             | 3075             |  |
| WITH HOPPER / CON TRAMOGGIA |    | HLR-220 Kg - HLT-280 Kg |                  |                  |                  |  |

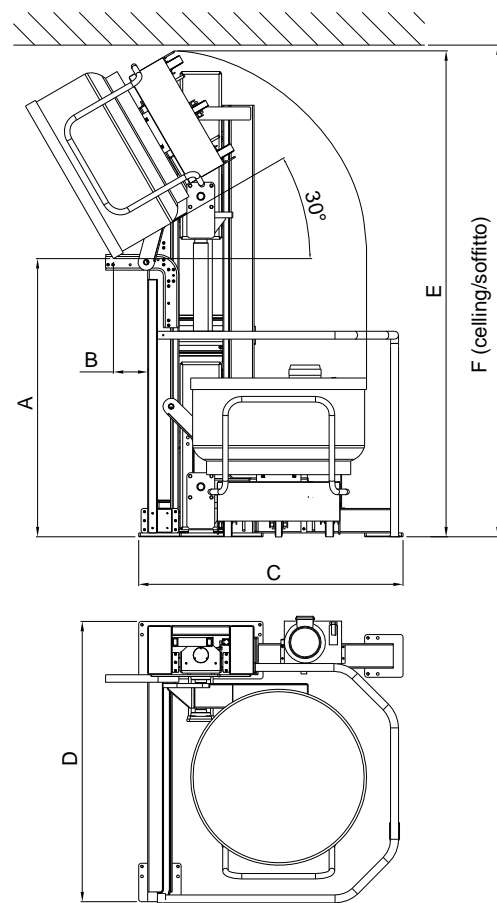
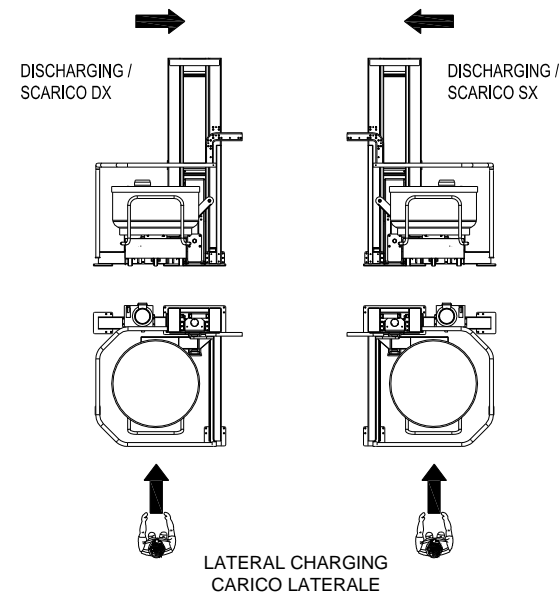
|  |    |        |        |        |        |
|--|----|--------|--------|--------|--------|
| Installed power / Potenza installata   | kW | 2,2    | 2,2    | 2,2    | 2,2    |
| Maximum power / Potenza massima        | kW | 2,2    | 2,2    | 2,2    | 2,2    |
| Plug copupling / Connessione elettrica |    | 3PH+Gr | 3PH+Gr | 3PH+Gr | 3PH+Gr |

SOLLEVATORE DI VASCHE - TILTI

NOR07F004-2\_02

BOWL LIFTER - TILTI

TILTI -LATERAL CHARGING / CARICO LATERALE-  
 HIGH DISCHARGING / SCARICO ALTO DX = TILTI H-1  
 HIGH DISCHARGING / SCARICO ALTO SX = TILTI H-2  
 LOW DISCHARGING / SCARICO BASSO DX = TILTI B-1  
 LOW DISCHARGING / SCARICO BASSO SX = TILTI B-2



DISCHARGING TO BENCH / SCARICO A BANCO

| TILTI / L |    | BOWL / VASCA 160 | BOWL / VASCA 200 | BOWL / VASCA 250 | BOWL / VASCA 300 |
|-----------|----|------------------|------------------|------------------|------------------|
| A         | mm | 1320             | 1290             | 1240             | 1200             |
| B         | mm | 150              | 200              | 140              | 210              |
| C         | mm | 1615             | 1615             | 1615             | 1615             |
| D         | mm | 1710             | 1710             | 1710             | 1710             |
| E         | mm | 2470             | 2470             | 2470             | 2470             |

| TILTI / L                   |    | BOWL / VASCA 160        | BOWL / VASCA 200 | BOWL / VASCA 250 | BOWL / VASCA 300 | F  |
|-----------------------------|----|-------------------------|------------------|------------------|------------------|--|
| A                           | mm | 1815                    | 1785             | 1735             | 1695             | DISCHARGING ON THE HOPPER WITH CELLING / SCARICO SU TRAMOGGIA CON SOFFITTO H minima = 3000 mm. |
| B                           | mm | 150                     | 200              | 140              | 210              |  |
| C                           | mm | 1615                    | 1615             | 1615             | 1615             |  |
| D                           | mm | 1710                    | 1710             | 1710             | 1710             |  |
| E                           | mm | 2965                    | 2965             | 2965             | 2965             |  |
| WITH HOPPER / CON TRAMOGGIA |    | HLR-220 Kg - HLT-280 Kg |                  | /                | /                |  |

| TILTI / L                   |    | BOWL / VASCA 160        | BOWL / VASCA 200 | BOWL / VASCA 250 | BOWL / VASCA 300 | F  |
|-----------------------------|----|-------------------------|------------------|------------------|------------------|--|
| A                           | mm | 1915                    | 1885             | 1835             | 1795             | DISCHARGING ON THE HOPPER WITH CELLING / SCARICO SU TRAMOGGIA CON SOFFITTO H minima = 3100 mm. |
| B                           | mm | 150                     | 200              | 140              | 210              |  |
| C                           | mm | 1615                    | 1615             | 1615             | 1615             |  |
| D                           | mm | 1710                    | 1710             | 1710             | 1710             |  |
| E                           | mm | 3070                    | 3070             | 3070             | 3070             |  |
| WITH HOPPER / CON TRAMOGGIA |    | HLR-220 Kg - HLT-280 Kg |                  |                  |                  |  |

|  |    |        |        |        |        |
|--|----|--------|--------|--------|--------|
| Installed power / Potenza installata   | kW | 2,2    | 2,2    | 2,2    | 2,2    |
| Maximum power / Potenza massima        | kW | 2,2    | 2,2    | 2,2    | 2,2    |
| Plug copupling / Connessione elettrica |    | 3PH+Gr | 3PH+Gr | 3PH+Gr | 3PH+Gr |

SOLLEVATORE DI VASCHE - TILTI

NOR07F004-3\_02

BOWL LIFTER - TILTI

